

CAUTION

- ◆ Before using this product, read and fully understand the operating instructions and all decals on the product. This is necessary to prevent injury to the operator and damage to the product.
- ◆ Refer to vehicle service manual for proper bleeding procedure.
- ◆ Do not use Aviation or Hydraulic Fluid with this product. Product Damage May Result.
- ◆ Avoid allowing Brake Fluid to contact vehicle finished surfaces. Damage to the surface finish may result.
- ◆ Always wear appropriate eye protection.

NOTE:

THE G300 BRAKE BLEEDER WILL CEASE TO OPERATE WHEN ALL OF THE BRAKE FLUID IS EXPELLED AND THE DIAPHRAGM IS AT THE TOP OF THE TANK. THE DIAPHRAGM MUST BE PUSHED DOWN TO THE BOTTOM OF THE TANK BEFORE THE BLEEDER WILL OPERATE AGAIN.

When the G300 BRAKE BLEEDER is empty of brake fluid, slowly release the air pressure using the air valve at the bottom of the tank. Remove the air valve when all of the air has been released.

The internal rubber diaphragm will be inverted inside the tank and must be gently pushed back into place using a blunt instrument. The Bleeder can now be refilled with brake fluid and the air valve can be replaced.

Before operating the G300 Brake Bleeder, install the handle assembly to the Brake Bleeder.

OPERATION

- 1) Release air cap at bottom of bleeder, allowing air to escape while filling with brake fluid.
- 2) If refilling, the internal rubber diaphragm will be inverted inside the tank and must be gently pushed back into place using a blunt instrument.
- 3) Press plastic funnel tightly into filler hole and fill with brake fluid. If you overfill the brake bleeder and fluid enters the funnel, use the suction syringe to remove the excess.
- 4) Install expanding filler plug assembly into bleeder filler hole and lock in place by turning filler plug washer 90° (item 18, repair parts) and tighten wing nut.
- 5) Tighten air release cap at bottom of bleeder and inflate bleeder to 15 pounds bleeding pressure.

NOTE:

BRAKE FLUIDS ARE EASILY AGITATED AND THEREFORE SHOULD BE BLED THROUGH THE CAR BRAKE SYSTEM WITH THE LOWEST POSSIBLE BLEEDING PRESSURE TO PREVENT AIR BUBBLES. IF HIGHER PRESSURES ARE NEEDED DURING THE BLEEDING OPERATION TO PURGE AIR FROM A HIGH POINT IN A WHEEL CYLINDER, OPEN ONE WHEEL CYLINDER BLEED SCREW AT A TIME AND HAVE SOMEONE PUMP THE BRAKE PEDAL VIGOROUSLY A FEW TIMES. THIS CAUSES TURBULENCE IN THE CYLINDER, FORCING AIR FROM THE WHEEL CYLINDER.

- 6) Install the automotive master cylinder fill nozzle in the end of the hose. Open the shut-off valve and bleed air from bleeder and reservoir hose assembly into plastic cup. When fluid flows clear of air bubbles, set air pressure according to the specifications listed on the next page. The unit is now ready to attach to the car master cylinder
- 7) Before installing proper master cylinder bleeding adapter, bring fluid level up to approximately ½" below the master cylinder reservoir top rim. Do not fill master cylinder to the top, as this air pocket acts as a trap for any air bubbles that might enter or be created in the bleeding operation.
- 8) Disconnect the automatic master cylinder fill nozzle and attach the bleeder hose on to the appropriate master cylinder adapter on car. (See the adapter guide on the last two pages of this manual.)
- 9) Check hook-up connections and car brake line system for leaks.
- 10) Some master cylinders and booster units have bleed screws. Bleed these first, then bleed each wheel cylinder in the following order: right rear, left rear, right front and left front. This applies not only to dual brake systems, but others as well. **Always refer to vehical service manual for proper bleeding procedure.**
- 11) Check brake pedal. If pedal has too much soft cushion, repeat bleeding operation.
- 12) Wrap a cloth or rag around the quick coupler connection before disconnecting to avoid fluid spill, which might damage paint finish.

BLEEDING SPECIFICATIONS



Excessive air pressure can result in serious damage to this diaphragm type brake bleeder.

DRUM BRAKES:

Pressurize Brake Bleeder to 15 to 25 p.s.i.

DRUM/DISC BRAKES:

American Motors	10 to 20 p.s.i.
Chrysler Corporation	35 p.s.i.
Ford Motor Company	10 to 30 p.s.i.
General Motors	20 to 25 p.s.i.
Most Import Cars	20 to 25 p.s.i.

Most drum/disc brake cars will have a metering valve or combination valve. This valve must be manually overridden. If this is not possible, the bleeder pressure should not exceed the metering valve pressure.

Some cars have pressure differential valves that activate a dash panel warning light. This valve, on some cars, must be reset.

Bench bleed new master cylinders before installation.

ALL WHEEL ANTI-LOCK BRAKE SYSTEMS (ABS):

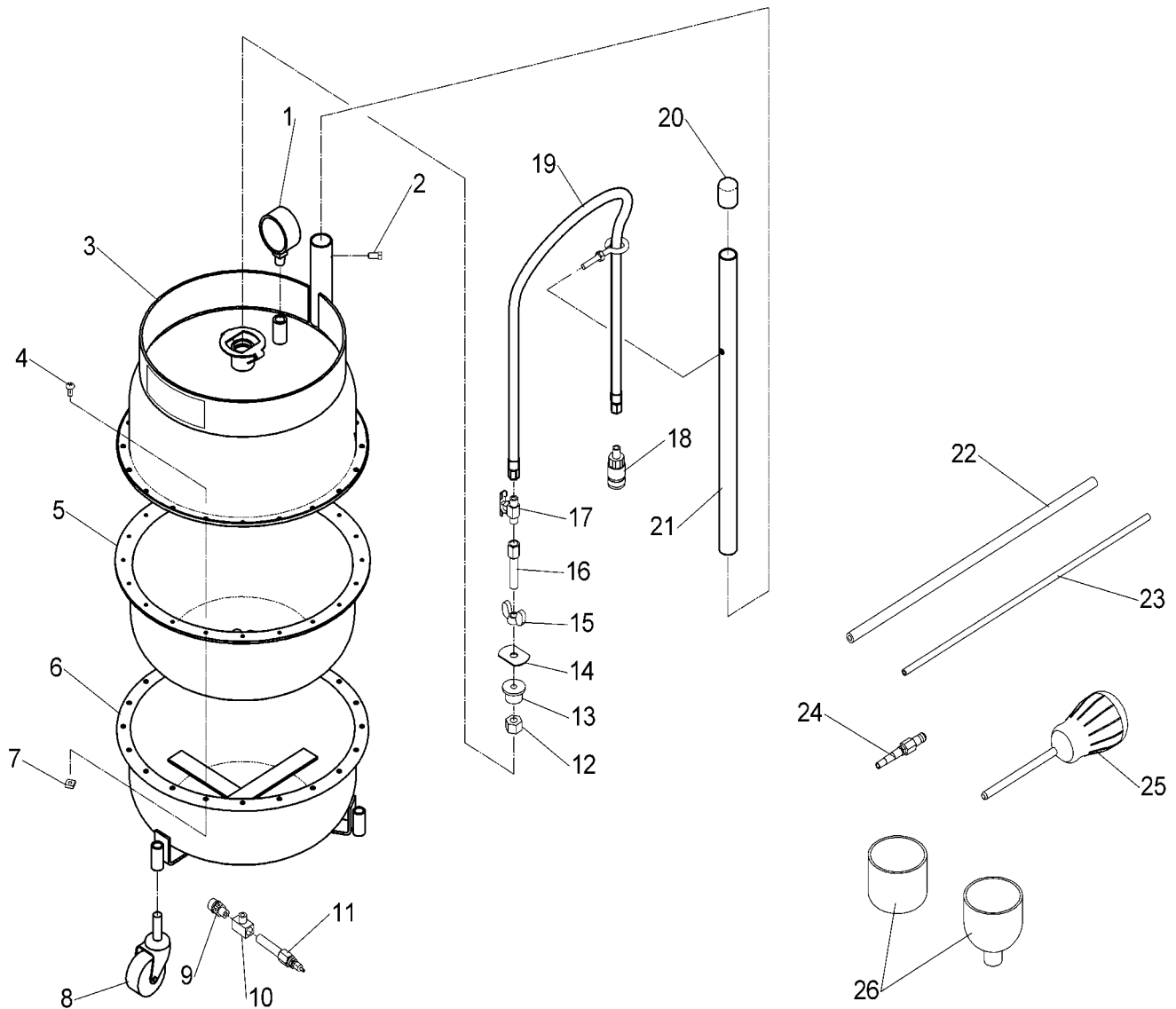
Attach bleeder adapter to reservoir cap opening. A minimum of 35 p.s.i. must be maintained on system with brake pedal released and ignition off. Open the rear bleeder screw on each caliper for 10 seconds at a time.

When air is out and there is a free flow of fluid, close bleeder screws and place ignition switch in run position. Pump brake pedal several times to complete bleeding procedure.

NOTE:

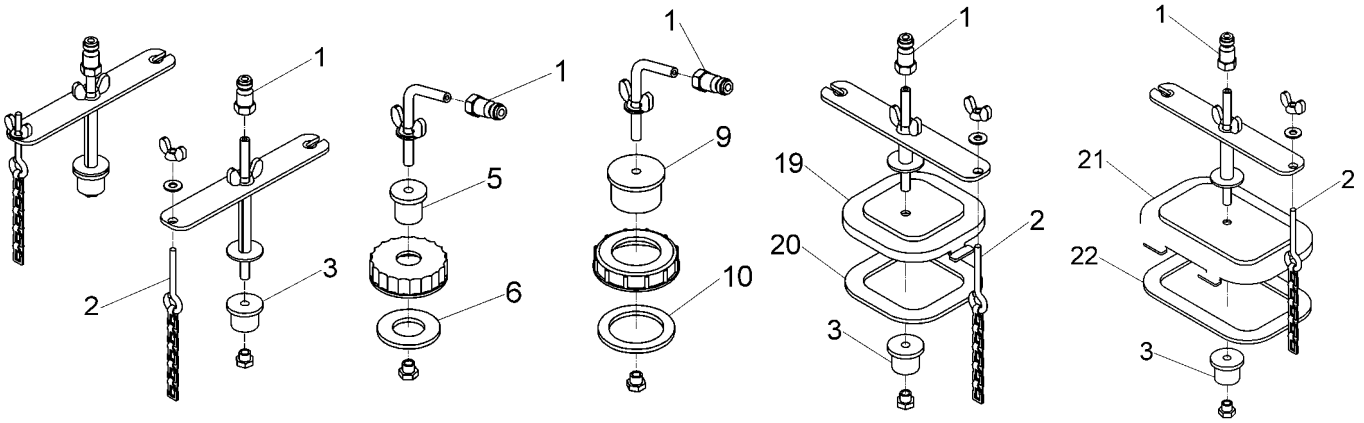
DO NOT OVERFILL MASTER CYLINDER, FILL TO MAXIMUM LEVEL ONLY. USE BLEEDING SEQUENCE CALLED FOR BY VEHICLE MANUFACTURER.

BRAKE BLEEDER REPAIR PARTS



ITEM	PART NO	QTY	DESCRIPTION	ITEM	PART NO	QTY	DESCRIPTION
1	023-013	1	60 PSI Gauge	14	108-156	1	Filler Plug Washer
2	028-391	1	1/4-20 X 1/2 Set Screw	15	055-059	1	3/8-24 Wing Nut
3	861-009	1	Reservoir Top	16	268-612	1	Filler Plug Core Tube
4	028-392	20	#12-24 X 1/2 Machine Screw	17	190-268	1	Shut Off Valve
5	041-076	1	Brake Bleeder Diaphragm	18	034-044	1	1/8 NPT Male Quick Coupler
6	861-010	1	Reservoir Base	19	940-046	1	Bleeder Hose Assembly
7	055-174	20	#12-24 Square Nut	20	550-020	1	Rubber Grip
8	106-022	1	Swivel Caster	21	070-106	1	Handle
9	190-270	1	60 PSI Relief Valve	22	646-230	1	1/4 ID Bleeder Tube
10	096-393	1	1/8 NPT Male Tee Fitting	23	646-229	1	3/16 ID Bleeder Tube
11	971-023	1	Air Release Valve Assembly	24	901-063	1	#58 Automatic Fill Nozzle
12	055-169	1	Seal Nut (Special)	25	885-098	1	Brake Fluid Syringe
13	006-034	1	Rubber Filler Plug	26	038-128	1	Bleeder Funnel and Cup

BRAKE BLEEDER REPAIR PARTS



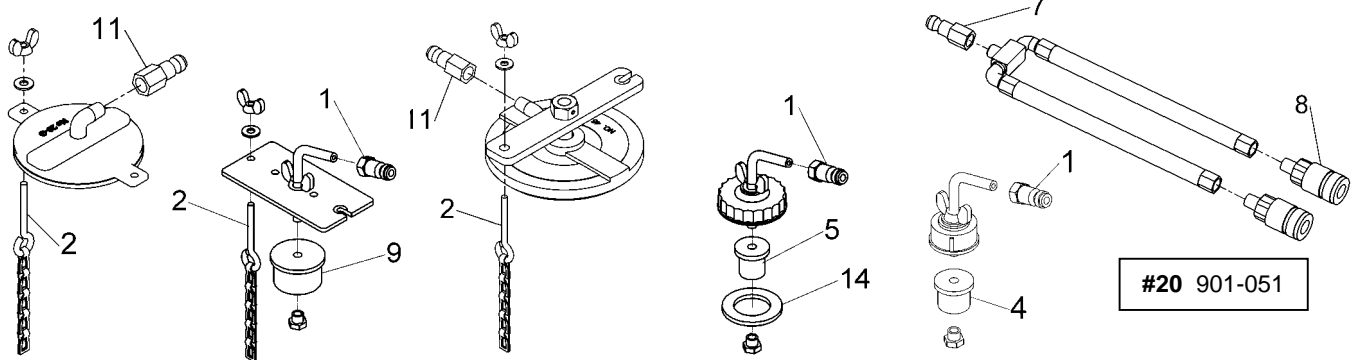
39GC 01-0071

#19 901-050

26G 901-052

36G (sm) 901-065

36G (lg) 901-066



29G 901-053

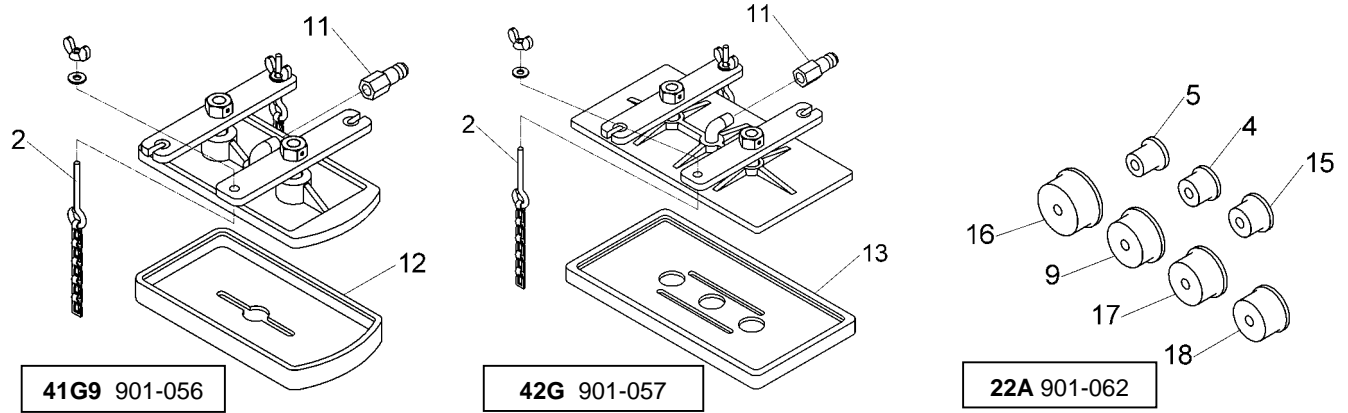
35G 901-054

45G9 901-058

47G 901-059

17FF 901-049

#20 901-051



41G9 901-056

42G 901-057

22A 901-062

ITEM	PART NO	QTY	DESCRIPTION	ITEM	PART NO	QTY	DESCRIPTION
1	096-418	1	1/4-28 Quick Coupler Nipple	12	167-030	1	Gasket
2	921-009	1	Chain & Eyebolt Assembly	13	167-031	1	Gasket
3	808-023	1	#39 Grommet (3/4)	14	167-033	1	Gasket
4	808-022	1	#17 Grommet (13/16)	15	808-018	1	#13 Grommet (7/8)
5	808-019	1	#14 Grommet (11/16)	16	808-017	1	#12 Grommet (1-1/4)
6	167-023	1	Gasket	17	808-016	1	#11 Grommet (1-3/8)
7	096-421	1	1/8 NPT Quick Coupler Nipple	18	808-021	1	#16 Grommet (1-9/16)
8	034-044	1	1/8 NPT Quick Coupler	19	020-037	1	Master Cylinder Cap
9	808-020	1	#15 Grommet (1-5/16)	20	167-026	1	Gasket
10	167-024	1	Gasket	21	020-039	1	Master Cylinder Cap

COMMERCIAL WARRANTY

This product is warranted by BRANICK INDUSTRIES, INC. to the original user-owner against defective materials or workmanship for a period of one year from the date of delivery. During the warranty period, product found to be defective will be repaired or replaced at, BRANICK INDUSTRIES, INC.'s option, without charge. The product must be returned, with prior approval, transportation charges prepaid and with proof of original delivery date, to BRANICK INDUSTRIES, INC., 4245 Main Ave., Fargo, North Dakota 58107. The repaired or replacement product will be returned with transportation charges prepaid by Branick.

This warranty does not cover defects in the product caused by ordinary wear and tear, abuse, misuse, overloading, accident (including shipping damage), improper maintenance, alteration, or any other cause not the result of defective materials or workmanship.

NOTICE:

The presence of any oil in the Nitrogen Membrane will void the manufacturer's warranty.

REPAIR OR REPLACEMENT IS THE EXCLUSIVE REMEDY FOR DEFECTIVE PRODUCT UNDER THIS WARRANTY. THIS WARRANTY IS EXPRESSLY IN LIEU OF ALL OTHER WARRANTIES, INCLUDING ANY IMPLIED WARRANTY OF MERCHANTABILITY OR ANY IMPLIED WARRANTY OF FITNESS FOR A PARTICULAR PURPOSE OF THIS PRODUCT. BRANICK INDUSTRIES, INC. SHALL NOT BE LIABLE FOR ANY CONSEQUENTIAL OR INCIDENTAL DAMAGES.

BRANICK INDUSTRIES, INC. reserves the right to make changes in the design or construction of our products without obligation to incorporate such changes in products already sold and without notice.

Service parts, warranty, and regular repair service for products are available from Branick authorized distributors or from:

BRANICK INDUSTRIES, INC.
4245 Main Ave.
Box 1937
Fargo, North Dakota 58107
701/281-8888

