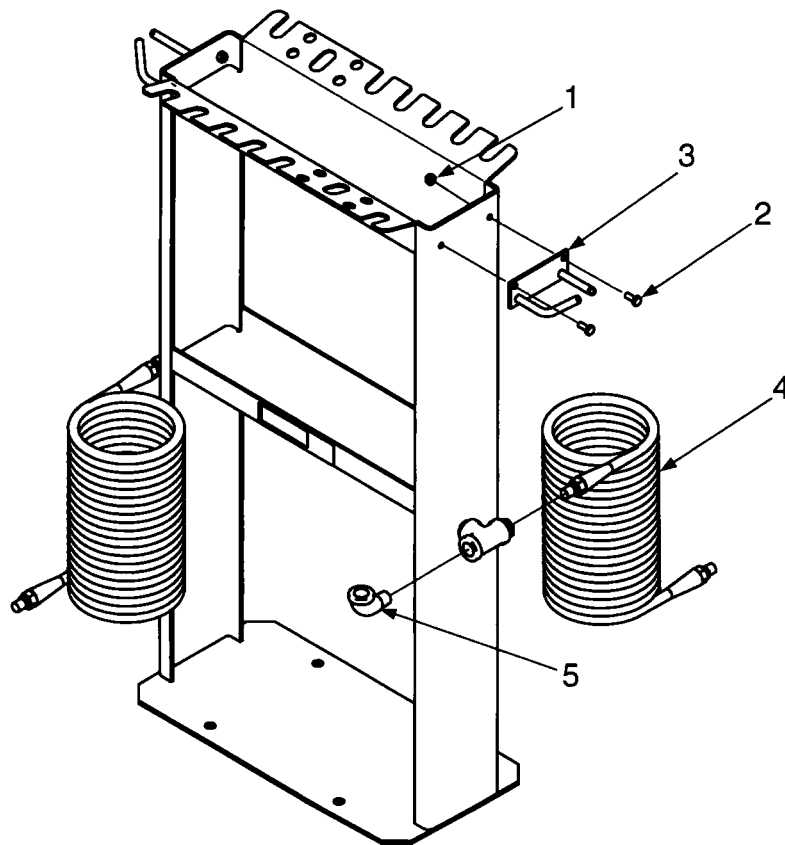




MODEL 2400
Tool Station

Installation
Instructions
and Repair Parts
Information

1. Place the Model 2400 Tool Station in position on floor. Bolt it to the floor using four 1/2" bolts (not provided).
2. Attach the Impact Wrench Brackets (Item 3) with 1/4" x 5/8 Hex Head Cap Screws and 1/4" Lock Nuts as shown.
3. Install the 1/2" NPT Elbow Fitting (Item 5) using thread sealant.



ITEM	PART NO	QTY	DESCRIPTION
1	055-160	4	1/4-20 Nylon Hex Lock Nut
2	028-210	4	1/4-20 X 5/8 Hex Head Cap Screw
3	03-0213	2	Impact Wrench Bracket
4	62-0010	2	3/8" ID X 25' Recoil Air Hose
5	096-075	1	1/2 NPT 90° Elbow Fitting

COMMERCIAL WARRANTY

This product is warranted by BRANICK INDUSTRIES, INC. to the original user-owner against defective materials or workmanship for a period of one year from the date of delivery. During the warranty period, product found to be defective will be repaired or replaced at, BRANICK INDUSTRIES, INC.'s option, without charge. The product must be returned, with prior approval, transportation charges prepaid and with proof of original delivery date, to BRANICK INDUSTRIES, INC., 4245 Main Ave., Fargo, North Dakota 58107. The repaired or replacement product will be returned with transportation charges prepaid by Branick.

This warranty does not cover defects in the product caused by ordinary wear and tear, abuse, misuse, overloading, accident (including shipping damage), improper maintenance, alteration, or any other cause not the result of defective materials or workmanship.

REPAIR OR REPLACEMENT IS THE EXCLUSIVE REMEDY FOR DEFECTIVE PRODUCT UNDER THIS WARRANTY. THIS WARRANTY IS EXPRESSLY IN LIEU OF ALL OTHER WARRANTIES, INCLUDING ANY IMPLIED WARRANTY OF MERCHANTABILITY OR ANY IMPLIED WARRANTY OF FITNESS FOR A PARTICULAR PURPOSE OF THIS PRODUCT. BRANICK INDUSTRIES, INC. SHALL NOT BE LIABLE FOR ANY CONSEQUENTIAL OR INCIDENTAL DAMAGES.

BRANICK INDUSTRIES, INC. reserves the right to make changes in the design or construction of our products without obligation to incorporate such changes in products already sold and without notice.

Service parts, warranty, and regular repair service for products are available from Branick authorized distributors or from:

BRANICK INDUSTRIES, INC.
4245 Main Ave.
Box 1937
Fargo, North Dakota 58107
701/281-8888

Branick®
INDUSTRIES, Inc.

Printed in U.S.A.